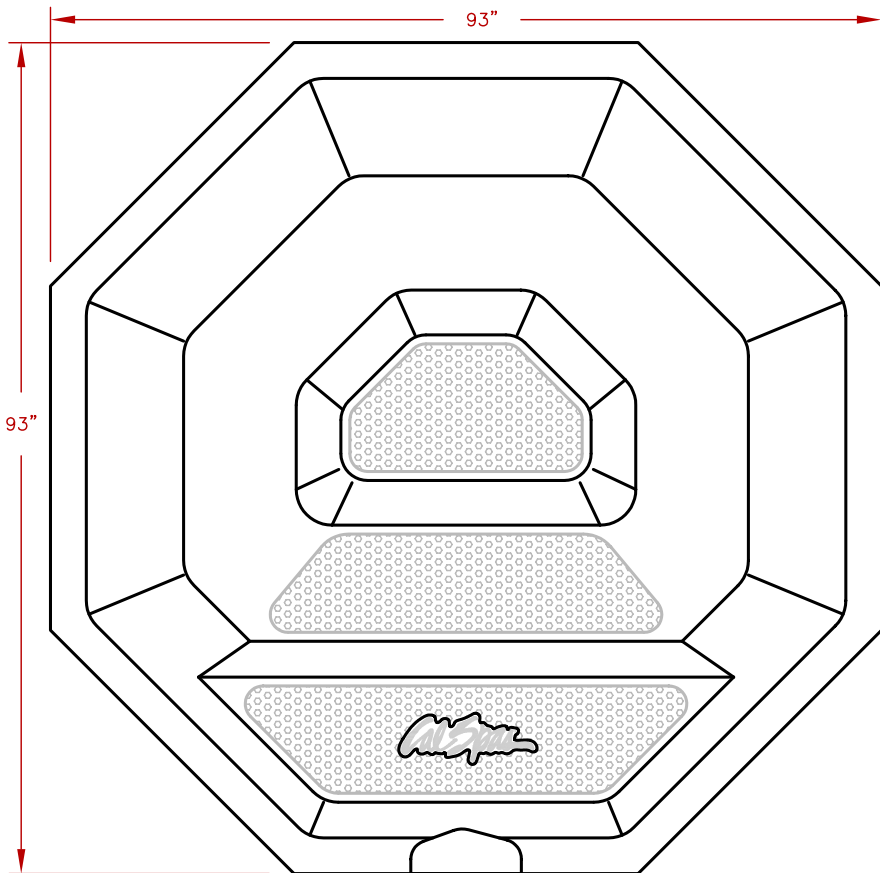


LINE	DESIGNER
MODEL	IGJ-402-16
NUM	

OPTIONS		
SYMB.	DESCRIPTION	OPT#
NL	LIGHT NICHE INGROUND 3/4 HUB	OPT16-828

16 JETS LEGEND			
QTY.	SYMB.	DESCRIPTION	PART#
4	(mfd)	MICRO FLOW DIRN.-BLK CLUSTER	PLUCS2295061SL
12	(PSR)	POWER STORM RIFFLED-BLK CLUSTER	PLUCS2295141SL
3	(M/D)	MAIN DRAIN	
1	(SK)	SKIMMER	



LINE	DESIGNER
MODEL	IG-402
NUM	

SPECIFICATIONS
 DIMENSIONS (IN) 93" X 93" X 32"
 DIMENSIONS (CM)
 WATER CAP. 500 GAL
 APP. WEIGHT 500 LBS



TITLE
 2016 SPA LINE
 DESIGNER SERIES
 INGROUND-402

DWG BY G.GARCIA DATE 12/7/15

REV DESCRIPTION REV No.

NOTE: DUE TO OUR CONTINUOUS IMPROVEMENT PROGRAM, ALL MODELS AND SPECIFICATIONS ARE SUBJECT TO CHANGE WITHOUT NOTICE.

SCALE: